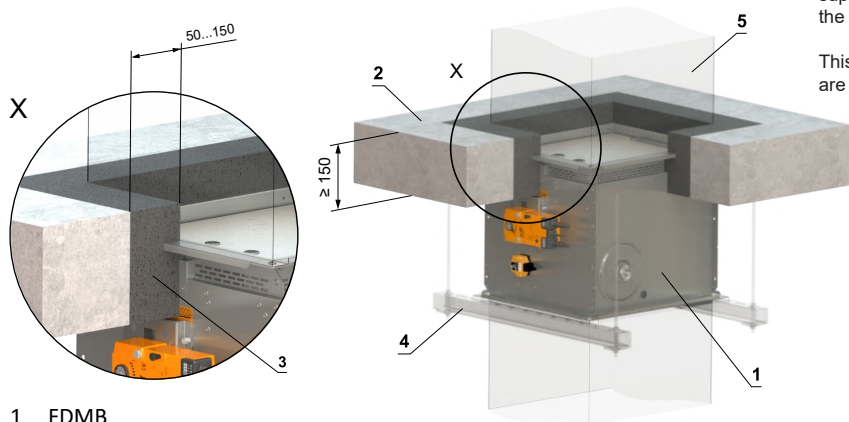


FDMB (Slab - Mortar/Gypsum) - EI 120 S - UKCA

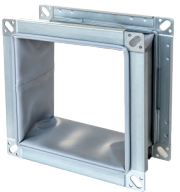


- 1 FDMB
- 2 Solid ceiling construction
- 3 British gypsum thistle bond 60 (or equivalent can be used) minimum density 670 kg/m³
- 4 Fixing profile with threaded rod
- 5 Duct

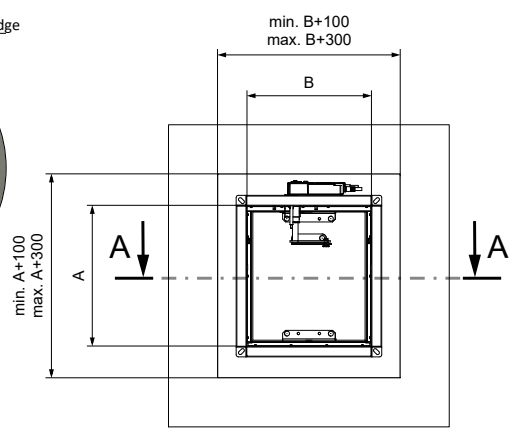
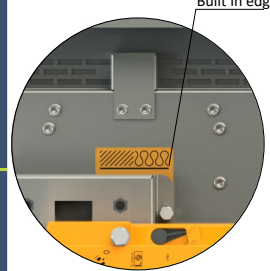
Slab must be made of normal concrete or aerated concrete as BS EN 1366-2.

Blade overlaps must be accounted for to ensure blade operation is not compromised. For full blade overlap dimensions please see product TPM.

Damper must be installed to the built in edge shown by orange label on the damper.

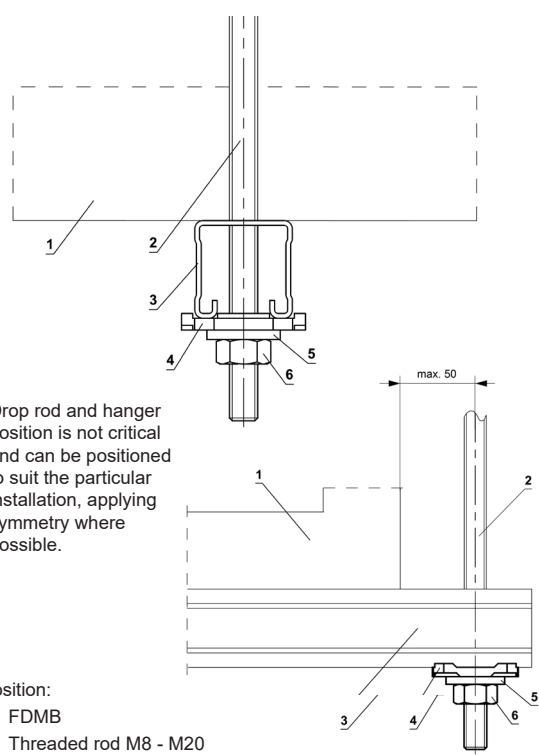
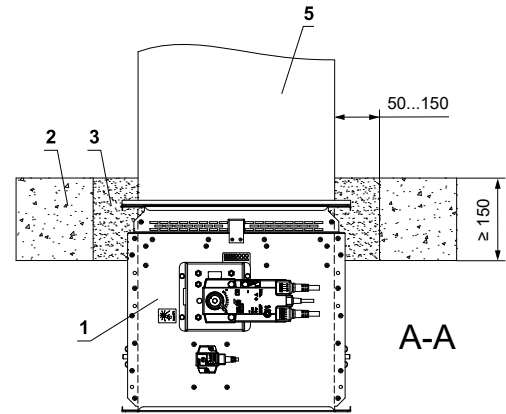


FFDM Breakaway Joint should be used either side of the damper. See Product TPM for full duct connection details.



Actuating mechanism can be installed above or below slab. Exact damper supporting method to be designed to suit each individual application by the ductwork specialist contractor.

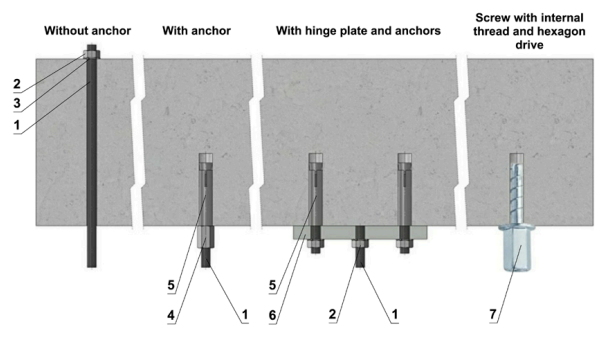
This installation was tested without supports. Supports are optional, if they are used, follow the manufacturer's instructions and national standards.



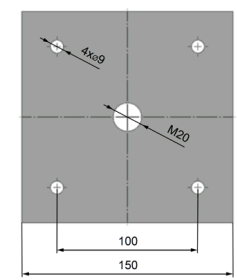
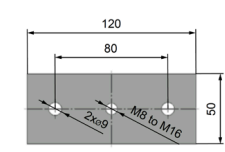
Drop rod and hanger position is not critical and can be positioned to suit the particular installation, applying symmetry where possible.

- Position:
- 1 FDMB
 - 2 Threaded rod M8 - M20
 - 3 Support HILTI (MQ-41 = <100kg) or (MQ-41/3 = >100kg)
 - 4 Bored plate HILTI MQZ-L
 - 5 Washer for M8 - M20
 - 6 Nut M8 - M20

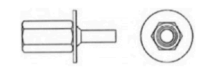
Advice provided by a fixing specialist contractor takes precedence.



Hinge plates



Screw with internal thread and hexagon drive



Load capacities of threaded hanger rods F [N] at the required fire resistance 90 minutes

Size	As [mm]	Weight G [kg]	
		for 1 piece	for 1 pair
M8	36,6	22	44
M10	58	35	70
M12	84,3	52	104
M14	115	70	140
M16	157	96	192
M18	192	117	234
M20	245	150	300

Position:

- 1 Threaded rod M8 - M20
- 2 Nut
- 3 Washer
- 4 Coupling nut
- 5 Anchor
- 6 Hinge plate - min. thickness 10mm
- 7 Concrete screw tested for fire resistance R30-R90, max. tension up to 0.75KN (length 35mm)

Drop rod diameter is based on damper weight, see full Damper TPM for further technical details or contact help@Mandik.co.uk. Mandik reserves the right to update this information without prior notice.

Mandik UK Ltd
www.mandik.co.uk
Office: 0117 4526376

130 Aztec West
Park Avenue
Bristol
BS32 4UB

Title: **FDMB Slab - Mortar - UKCA**

Classification: **EI 120 (ho i<->o) S**

Drawing No: **0000-0000-130 Rev 3**

UKCA certified acc. to EN 15650

Tested in accordance with EN 1366-2

Size: (min-max) 100x100 - 1000x500 up to 0.5m2

Date: **03/07/2023**

Illustrated: **AA** Approved: **MF**

Intellectual property of MANDIK Ltd. Unauthorised use shall be punishable by law